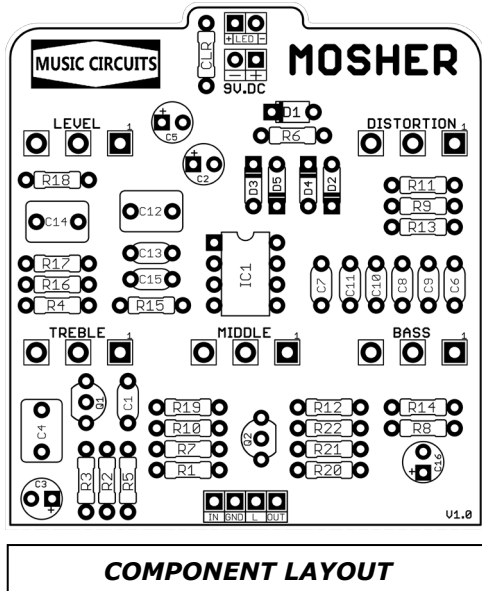


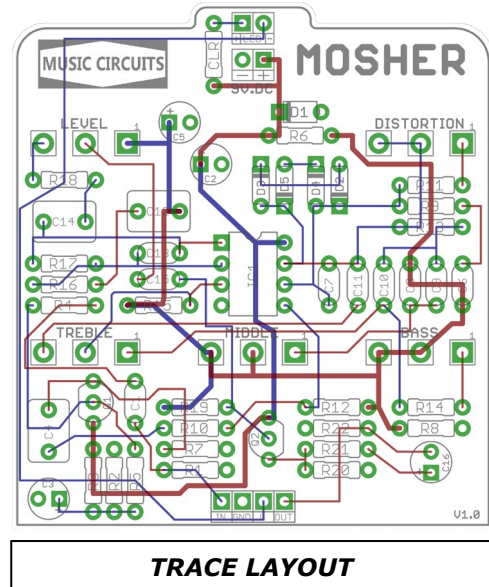


MOSHER (V1.0)

Based on the IBANEZ® MT-10 MOSTORTION
REVISION 01.10.2022



COMPONENT LAYOUT



TRACE LAYOUT

EFFECT TYPE: DISTORTION

BOARD DIMENSIONS

2.30 x 2.53 inches (58.4 x 64.2mm)

Fits: 125B Enclosure

Please take your time and enjoy.

This document includes:

- **Bill of Materials**
- **Schematic**
- **Drill Template**
- **Wiring Diagram**



BOM: MOSTORTION (MOSHER)

Capacitors

C1	22n
C2	100uf
C3	10uf
C4	1u
C5	47uf
C6	220n
C7	51p
C8	15n
C9	68n
C10	33n
C11	330p
C12	1u
C13	1n
C14	1u
C15	100n
C16	10uf

Diodes

D1	1N4002
D2	1N914
D3	1N914
D4	1N914
D5	1N914

IC's

IC1	CA3260
-----	--------

Transistors

Q1	2N5088
Q2	2N5088

Pots

TREBLE	A250k
LEVEL	B100k
MIDDLE	A50k
DISTORTION	A500k
BASS	A250k

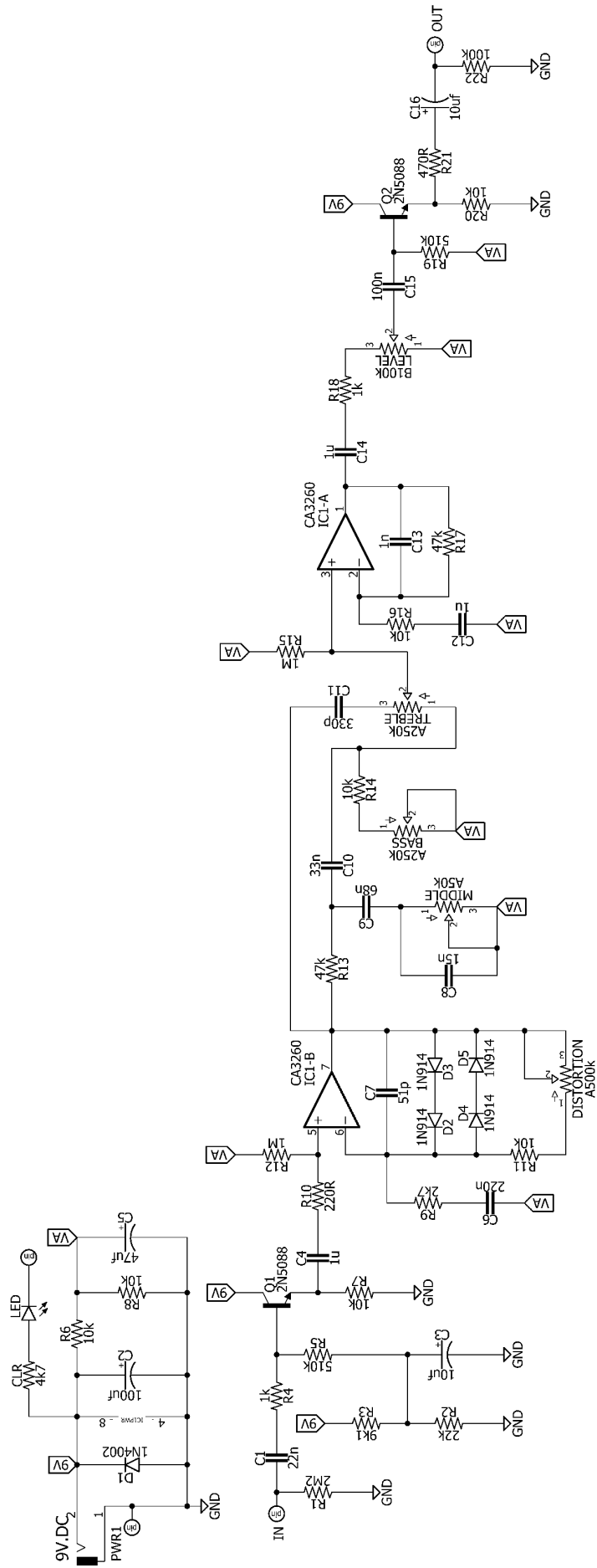
Resistors

R1	2M2
R2	22k
R3	9k1
R4	1k
R5	510k
R6	10k
R7	10k
R8	10k
R9	2k7
R10	220R
R11	10k
R12	1M
R13	47k
R14	10k
R15	1M
R16	10k
R17	47k
R18	1k
R19	510k
R20	10k
R21	470R
R22	100k

RESISTORS	
220R	1
470R	1
1k	2
2k7	1
9k1	1
10k	7
22k	1
47k	2
100k	1
510k	2
1M	2
2M2	1

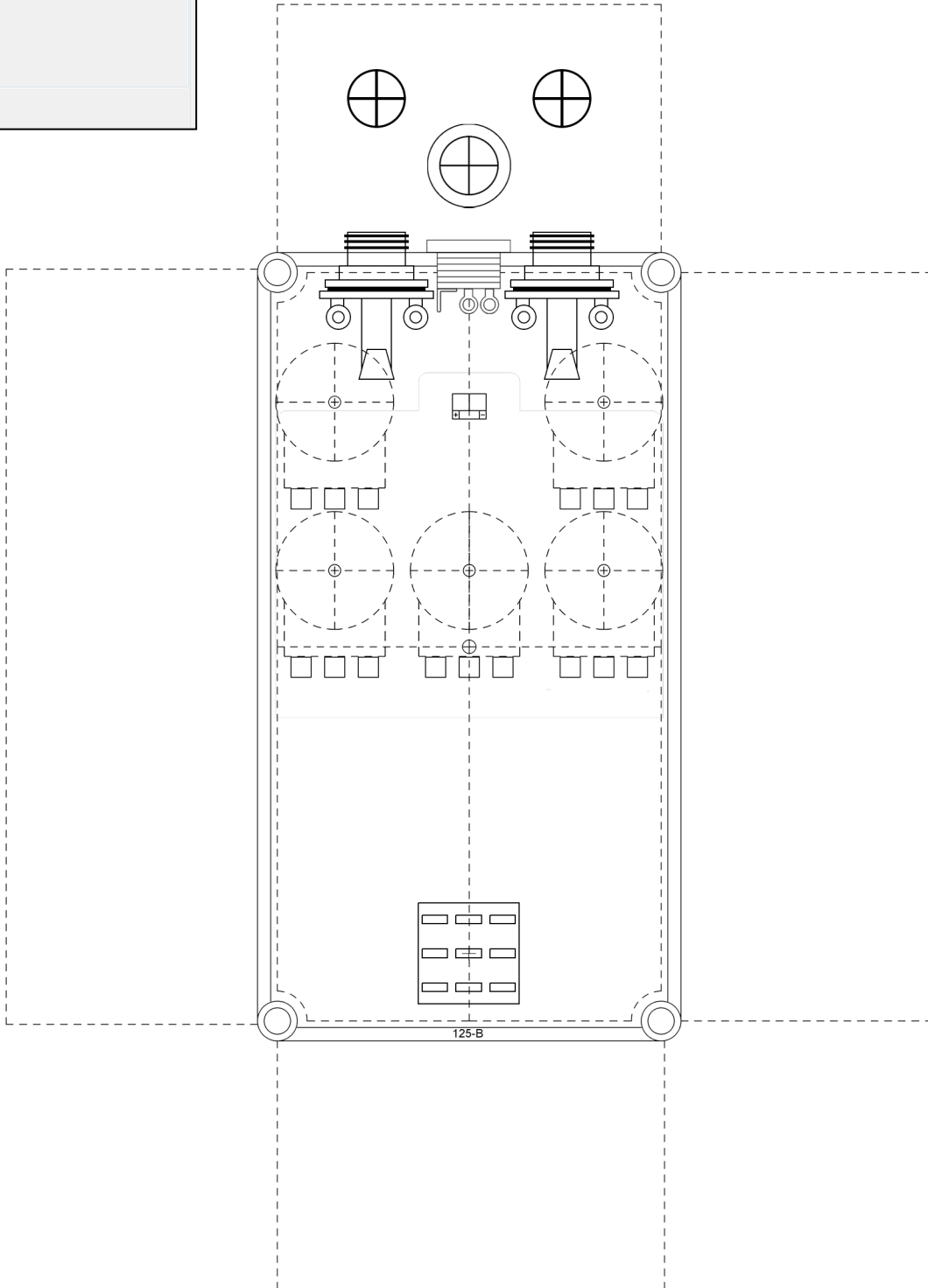
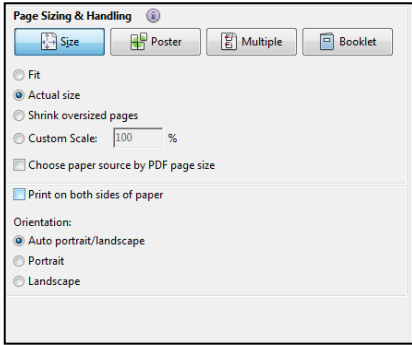
CAPACITORS	
51p	1
330p	1
1n	1
15n	1
22n	1
33n	1
68n	1
100n	1
220n	1
1u	3
10uf	2
47uf	1
100uf	1

SCHEMATIC



DRILL TEMPLATE

Adobe PDF: PRINT ACTUAL SIZE



WIRING IT UP

It's good to test the effect outside of the enclosure. I do sell a tester board which is perfect for this. When your good to go, here's how to wire things up.

3PDT WIRING

