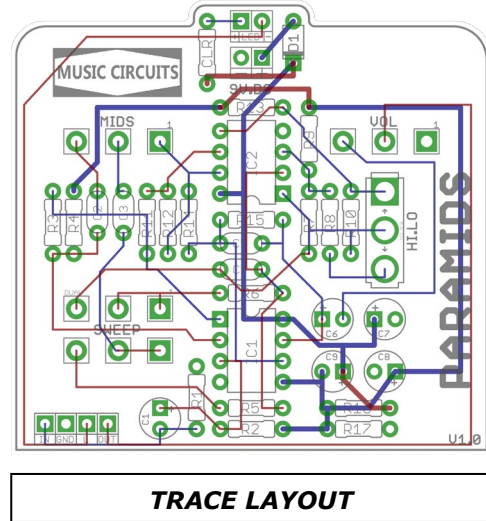
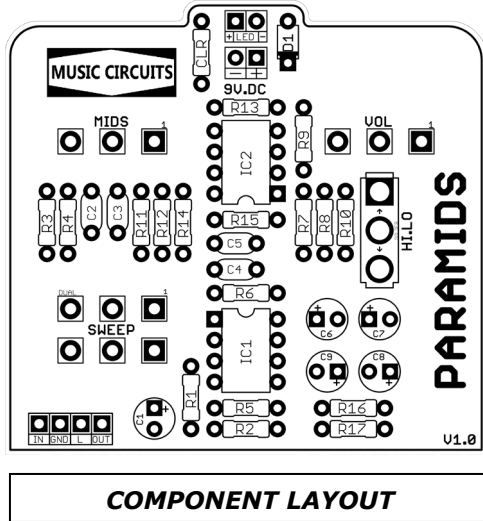




### PARAMIDS (V1.0)

Based on the JHS® HAUNTING MIDS  
REVISION 01.09.2022



### EFFECT TYPE: OVERDRIVE

### BOARD DIMENSIONS

2.30 x 2.18 inches (58.4 x 55.3mm)

Fits: 125B Enclosure

*Please take your time and enjoy.*

### This document includes:

- **Bill of Materials**
- **Schematic**
- **Drill Template**
- **Wiring Diagram**



## BOM: HAUNTING MIDS (PARAMIDS)

### Capacitors

C1 4u7  
C2 47p  
C3 10n  
C4 1n5  
C5 47p  
C6 4u7  
C7 100uf  
C8 10uf  
C9 10uf

RESISTORS	
3k3	2
4k7	3
5k6	2
6k8	3
10k	3
22k	2
470k	1
1M	1

CAPACITORS	
47p	2
1n5	1
10n	1
4u7	2
10uf	2
100uf	1

### Diodes

D1 1N5817

### IC'S

IC1 NE5532  
IC2 TL072

### Resistors

R1 1M  
R2 470k  
R3 10k  
R4 4k7  
R5 5k6  
R6 5k6  
R7 6k8  
R8 6k8  
R9 3k3  
R10 6k8  
R11 22k  
R12 22k  
R13 3k3  
R14 4k7  
R15 4k7  
R16 10k  
R17 10k

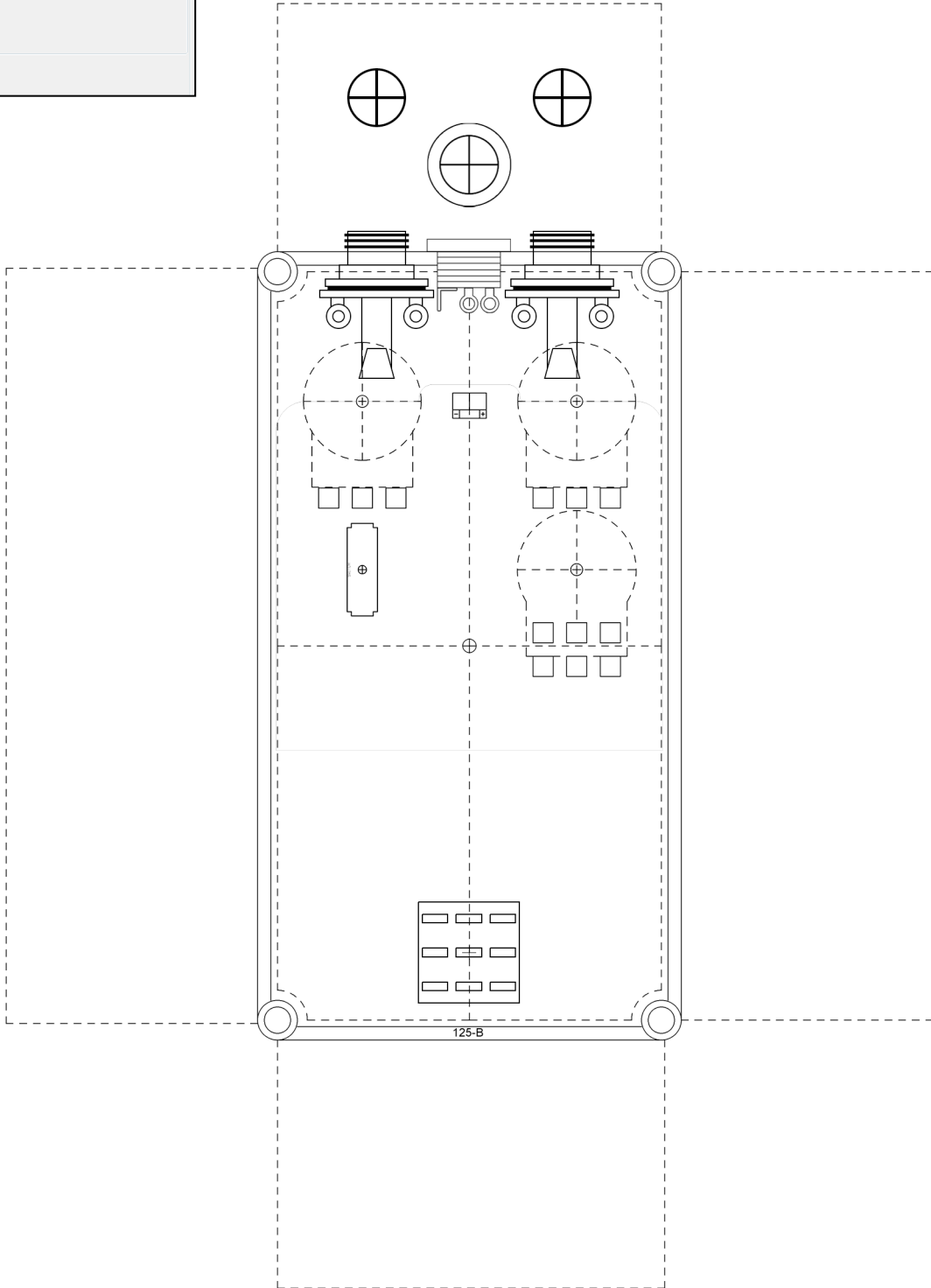
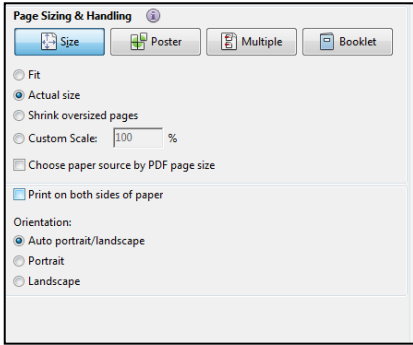
### Pots

SWEEP B100k DUAL  
VOL B10k  
MIDS B10k



# DRILL TEMPLATE

**Adobe PDF: PRINT ACTUAL SIZE**



## WIRING IT UP

It's good to test the effect outside of the enclosure. I do sell a tester board which is perfect for this. When your good to go, here's how to wire things up.

# 3PDT WIRING

