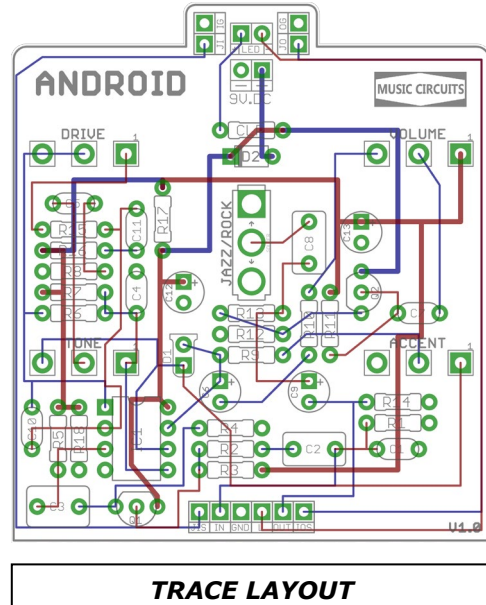
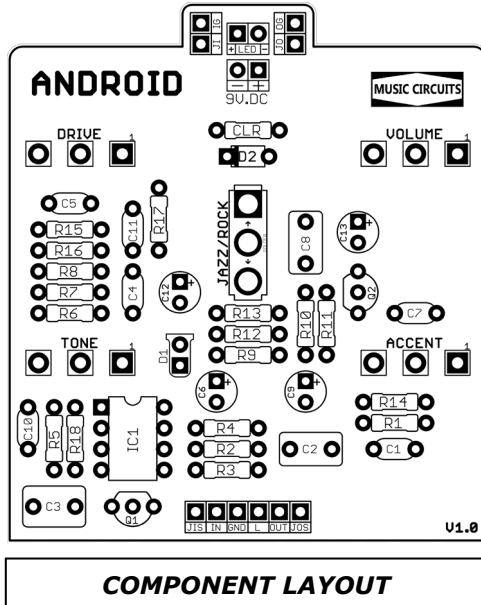


MUSIC CIRCUITS

ANDROID V1.0

Based on the SHINS MUSIC® DUMBLOID
REVISION 01.09.2022



EFFECT TYPE: OVERDRIVE

BOARD DIMENSIONS

2.30 x 2.59 inches (58.4 x 65.7mm)

Fits: 125B Enclosure

Please take your time and enjoy.

This document includes:

- **Bill of Materials**
- **Schematic**
- **Drill Template**
- **Wiring Diagram**



BOM: SHINS MUSIC DUMBLOID (ANDROID)

Capacitors

C1	100p
C2	470n
C3	1u
C4	220n
C5	100n
C6	2u2
C7	220n
C8	470n
C9	22uf
C10	82p
C11	220n
C12	47uf
C13	47uf

Diodes

D1	3mm RED LED
D2	1N5817

IC's

IC1	OPA2134
(Others will work, JRC4558/TL072)	

Transistors

Q1	BC548B
Q2	BC548B

Resistors

R1	1M
R2	100R
R3	150k
R4	10k
R5	10k
R6	1k
R7	10k
R8	220R
R9	1k
R10	1k
R11	100k
R12	10k
R13	100R
R14	10k
R15	10k
R16	1k8
R17	10k
R18	10k

Pots

TONE	B20k
VOLUME	B100k
DRIVE	A1M
ACCENT	B25k

Switch

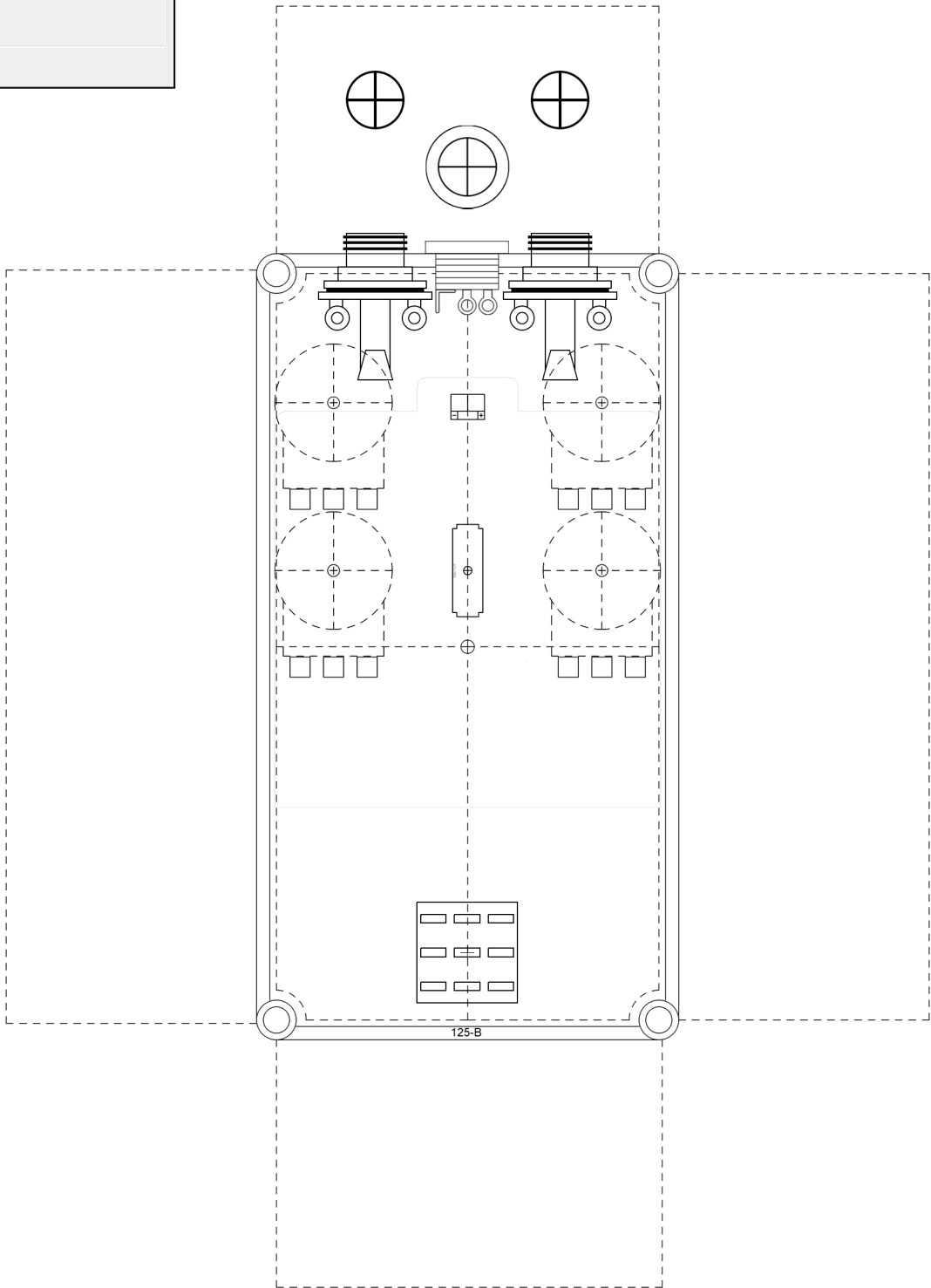
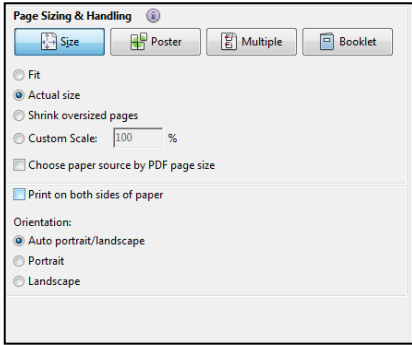
SPDT ON-ON

RESISTORS	
100R	2
220R	1
1k	3
1k8	1
10k	8
100k	1
150k	1
1M	1

CAPACITORS	
82p	1
100p	1
100n	1
220n	3
470n	2
1u	1
2u2	1
22uf	1
47uf	2

DRILL TEMPLATE

Adobe PDF: PRINT ACTUAL SIZE



WIRING IT UP

It's good to test the effect outside of the enclosure. I do sell a tester board which is perfect for this. When you're good to go, here's how to wire things up.

3PDT WIRING

