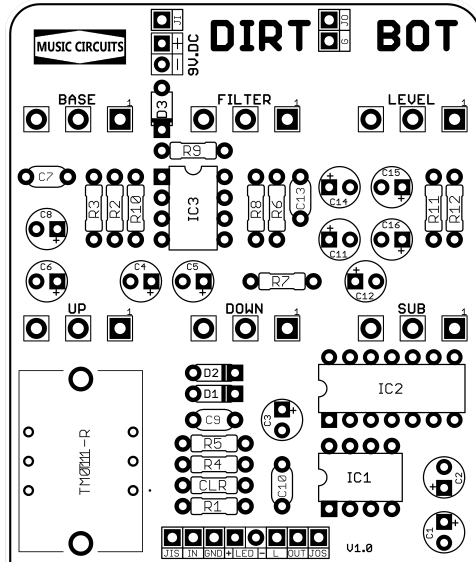


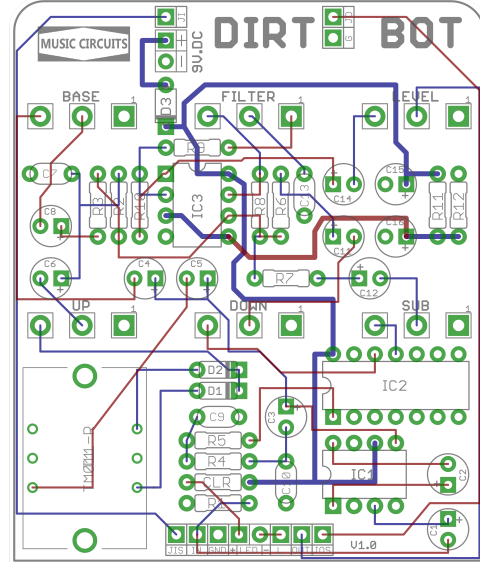


DIRT BOT (V1.0)

Based on the EQD® BIT COMMANDER
REVISION 01.09.2022



COMPONENT LAYOUT



TRACE LAYOUT

EFFECT TYPE: OCTAVER/SYNTH

BOARD DIMENSIONS

2.30 x 2.73 inches (58.4 x 69.2mm)

Fits: 125B Enclosure

Please take your time and enjoy.

This document includes:

- **Bill of Materials**
- **Schematic**
- **Drill Template**
- **Wiring Diagram**



BOM: BIT COMMANDER (DIRT BOT)

Capacitors

RESISTORS	
10k	4
22k	1
47k	1
100k	2
220k	3
1M	1

C1 1uf
C2 10uf
C3 1uf

CAPACITORS	
1n	1
10n	1
22n	2
1uf	8
10uf	2
100uf	2

C4 1uf
C5 100uf
C6 1uf
C7 1n
C8 1uf
C9 22n
C10 10n
C11 1uf
C12 1uf
C13 22n
C14 1uf
C15 100uf
C16 10uf

Diodes

D1 1N914
D2 1N914
D3 1N5817

IC's

IC1 JRC386D
IC2 CD4024
IC3 TL072

Resistors

R1 1M
R2 47k
R3 100k
R4 22k

R5 100k
R6 220k
R7 220k
R8 220k
R9 10k
R10 10k
R11 10k
R12 10k
CLR 4k7

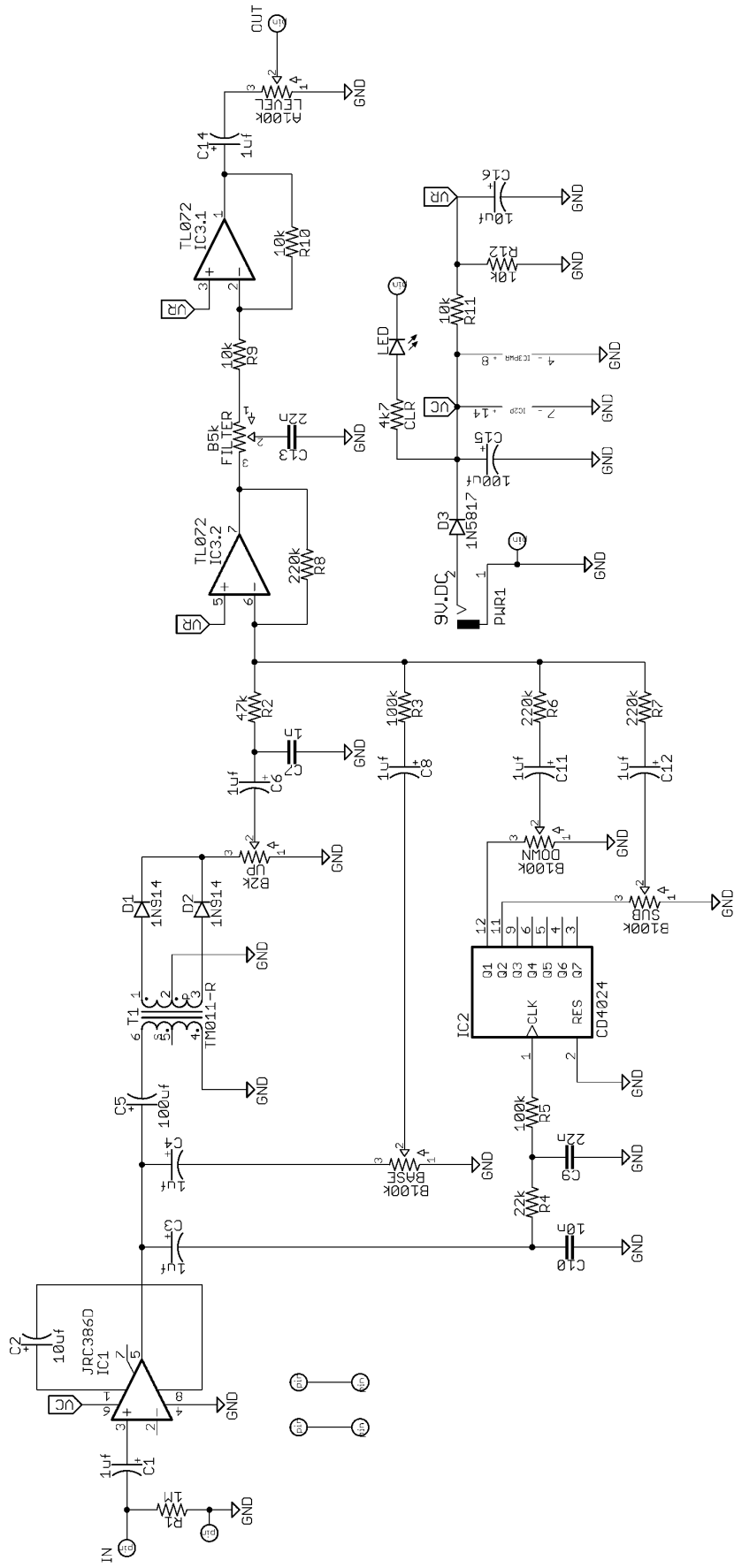
Pots

UP B2k
LEVEL A100k
SUB B100k
DOWN B100k
FILTER B5k
BASE B100k

Transformer

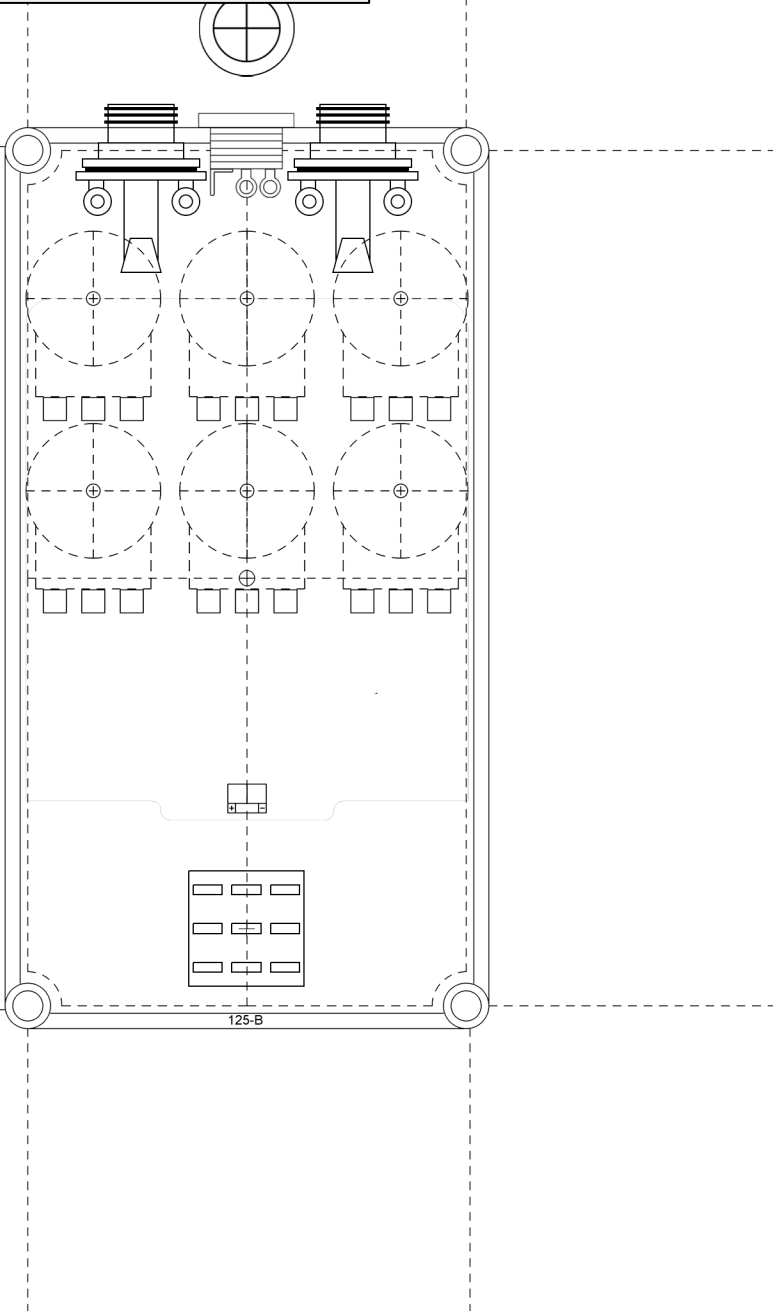
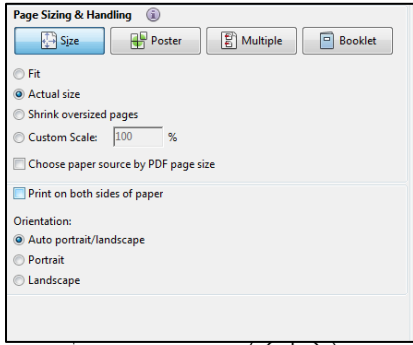
TM011-R

SCHEMATIC



DRILL TEMPLATE

Adobe PDF: PRINT ACTUAL SIZE



WIRING IT UP

It's good to test the effect outside of the enclosure. I do sell a tester board which is perfect for this. When your good to go, here's how to wire things up.

3PDT WIRING

