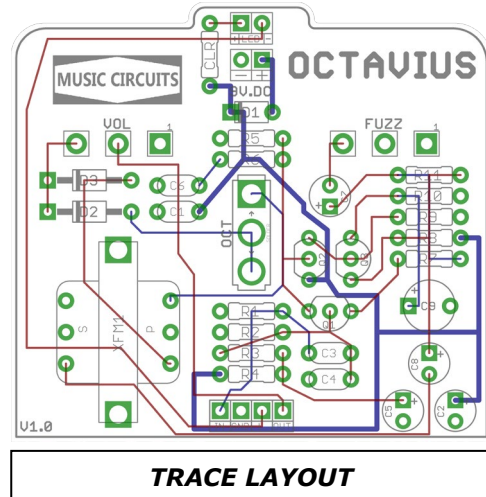
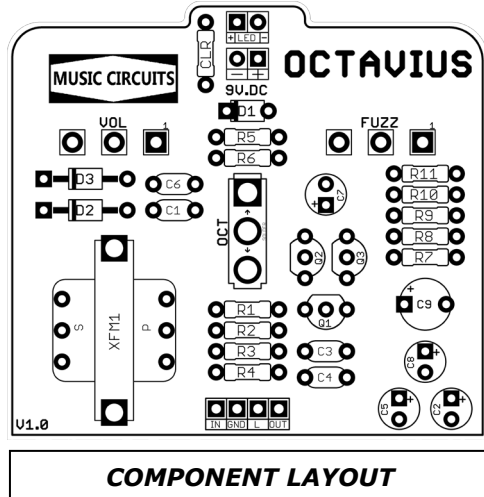


# MUSIC CIRCUITS

## OCTAVIUS (V1.0)

Based on the TYCHOBRAHE® OCTAVIA  
REVISION 01.10.2022



**EFFECT TYPE: FUZZ/OCTAVE**

### **BOARD DIMENSIONS**

2.30 x 2.10 inches (58.4 x 53.3mm)

Fits: 125B Enclosure

*Please take your time and enjoy.*

**This document includes:**

- **Bill of Materials**
- **Schematic**
- **Drill Template**
- **Wiring Diagram**



## BOM: OCTAVIA (OCTAVIUS)

### Capacitors

C1 100n  
C2 100uf  
C3 100n  
C4 150p  
C5 33uf  
C6 1n  
C7 100uf  
C8 33uf  
C9 220uf

### Diodes

D1 1N5817  
D2 1N34a  
D3 1N34a

### Transformer

42TM022 or TM011-R

*\*Banzai Music sell these*

### Transistors

Q1 2N5087  
Q2 2N4401  
Q3 2N4401

### Resistors

R1 1M  
R2 680k  
R3 820k  
R4 180k  
R5 220k  
R6 220R  
R7 1k  
R8 1k2  
R9 22k  
R10 470R  
R11 47k

### Pots

VOL A500k  
FUZZ B1k

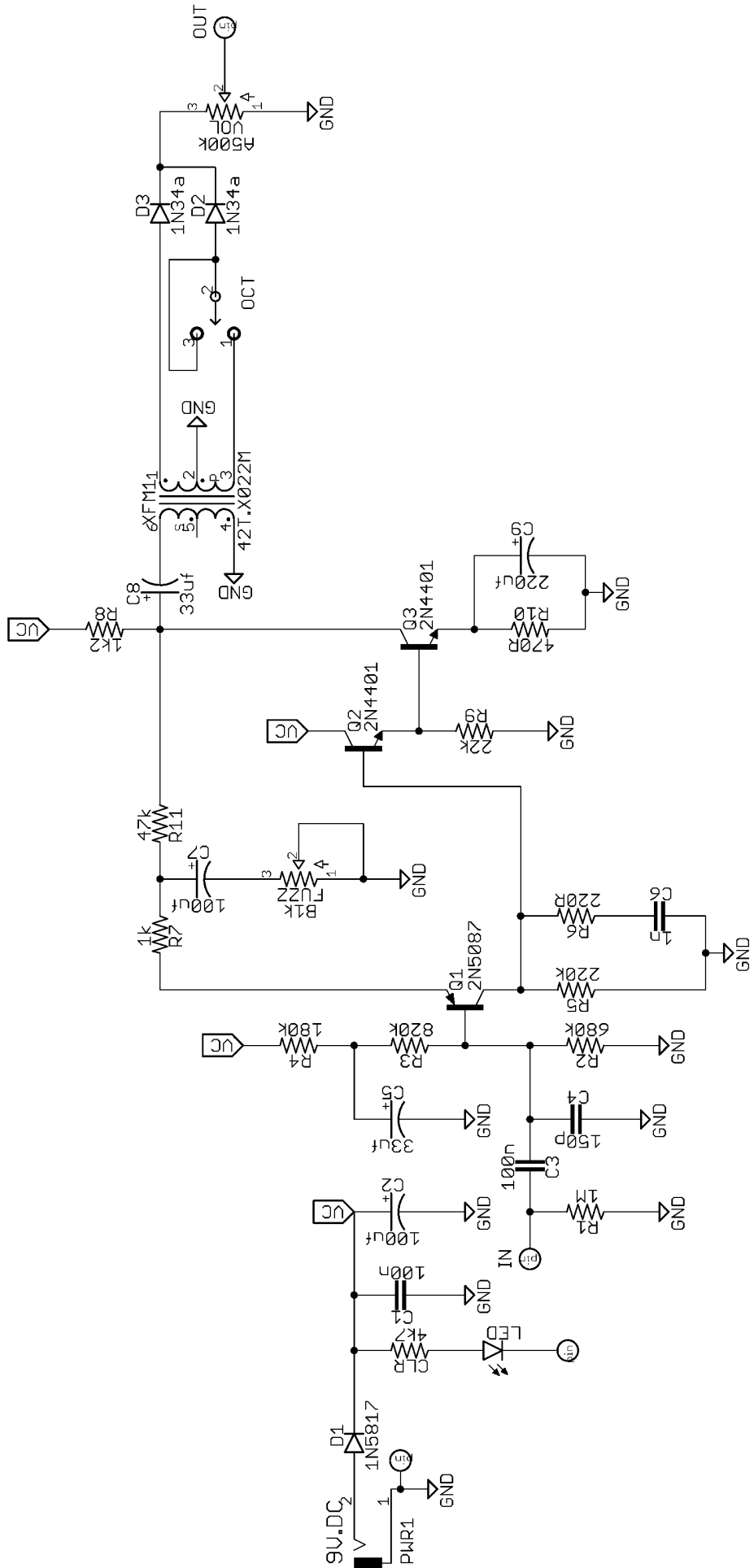
### Switch

SPDT on-on

CAPACITORS	
220R	1
470R	1
1k	1
1k2	1
22k	1
47k	1
180k	1
220k	1
680k	1
820k	1
1M	1

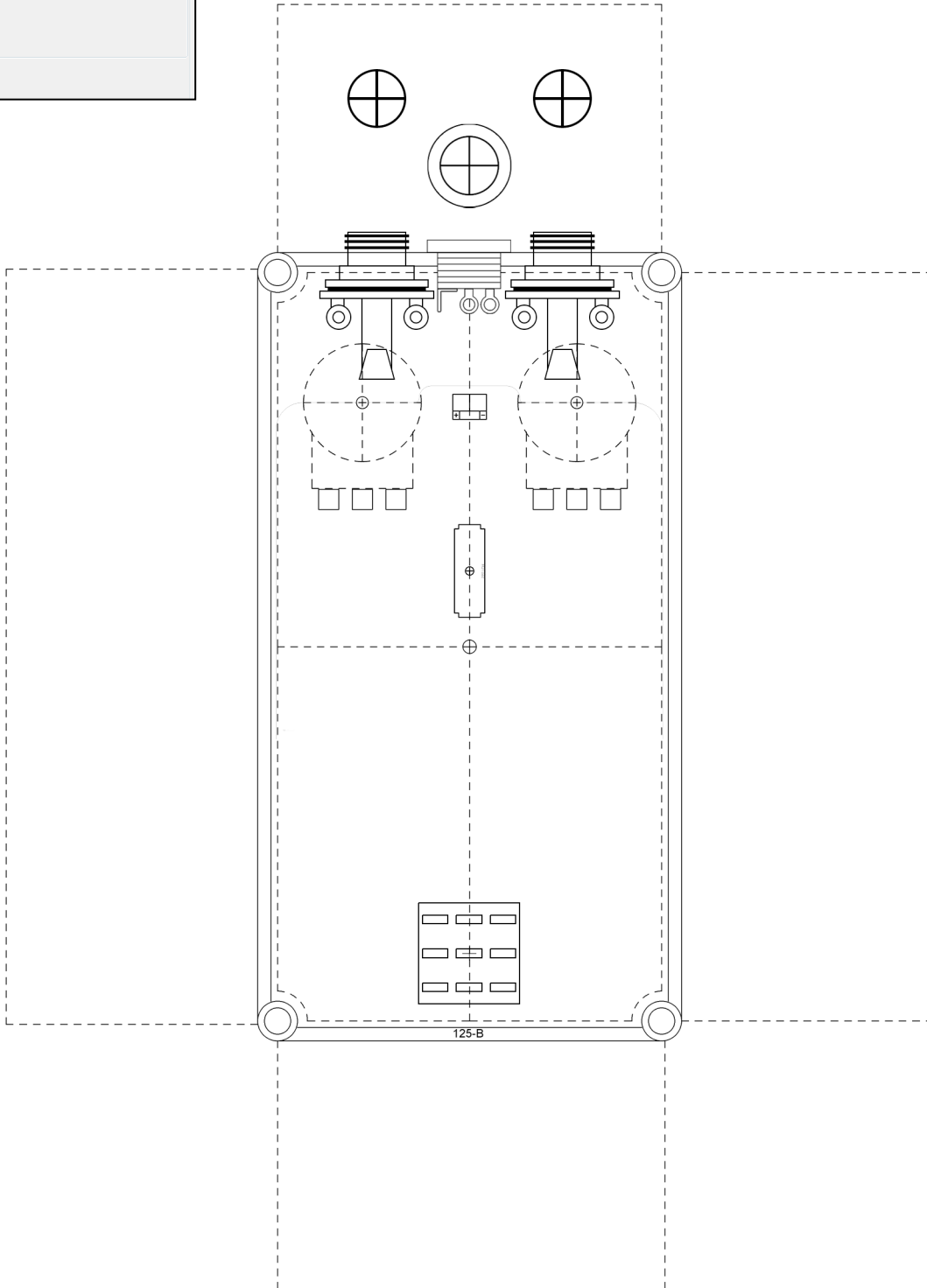
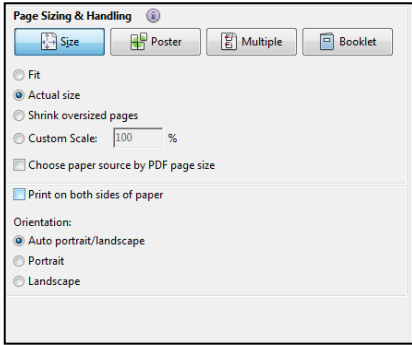
RESISTORS	
150p	1
1n	1
100n	2
33uf	2
100uf	2
220uf	1

# SCHEMATIC



# DRILL TEMPLATE

**Adobe PDF: PRINT ACTUAL SIZE**



## WIRING IT UP

It's good to test the effect outside of the enclosure. I do sell a tester board which is perfect for this. When your good to go, here's how to wire things up.

# 3PDT WIRING

