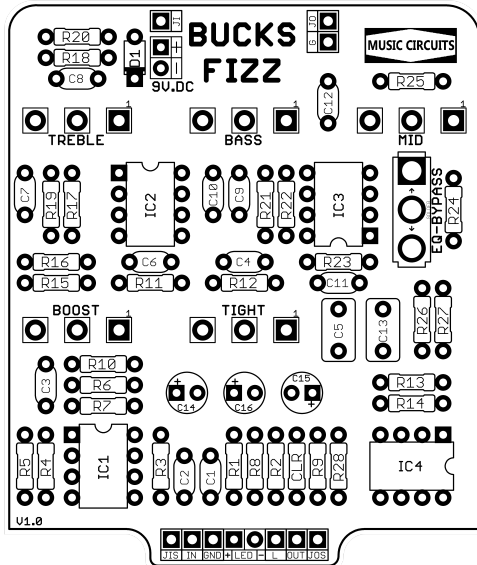
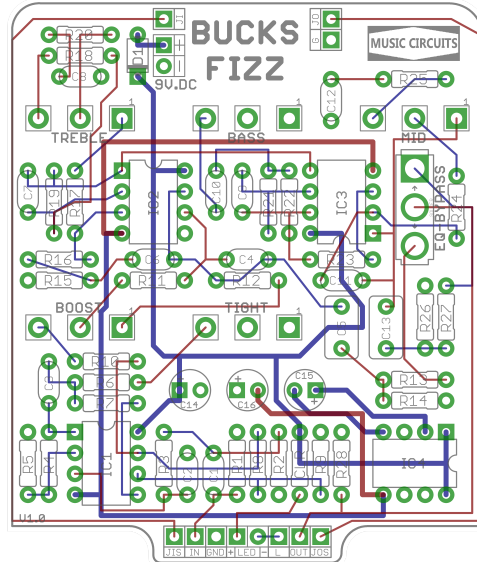


BUCKS FIZZ (V1.0)

Based on the FRIEDMAN® BUXOM BOOST
REVISION 01.09.2022



COMPONENT LAYOUT



TRACE LAYOUT

EFFECT TYPE: BOOST

BOARD DIMENSIONS

2.30 x 2.73 inches (58.4 x 69.2mm)

Fits: 125B Enclosure

Please take your time and enjoy.

This document includes:

- **Bill of Materials**
- **Schematic**
- **Drill Template**
- **Wiring Diagram**



BOM: BUXOM BOOST (BUCKS FIZZ)

Capacitors

C1 22n
C2 120p
C3 22n
C4 120p
C5 470n
C6 220n
C7 1n
C8 4n7
C9 22n
C10 220n
C11 2n2
C12 10n
C13 470n
C14 100uf
C15 10uf
C16 47uf

Diodes

D1 1N5817

IC's

IC1 TL072
IC2 TL072
IC3 TL072
IC4 TC1044

Pots

TIGHT C100k
TREBLE B100k
MID C100k
BOOST C100k
BASS C100k

EQ SPDT on/on

Resistors

R1 1M
R2 470k
R3 10k
R4 47k
R5 100k
R6 10k
R7 2k2
R8 47k
R9 100k
R10 10k
R11 4k7
R12 470R
R13 2k2
R14 100k
R15 100k
R16 47k
R17 2k2
R18 2k2
R19 47k
R20 10k
R21 33k
R22 33k
R23 2k2
R24 2k2
R25 22k
R26 100k
R27 2k2
R28 100k

CAPACITORS

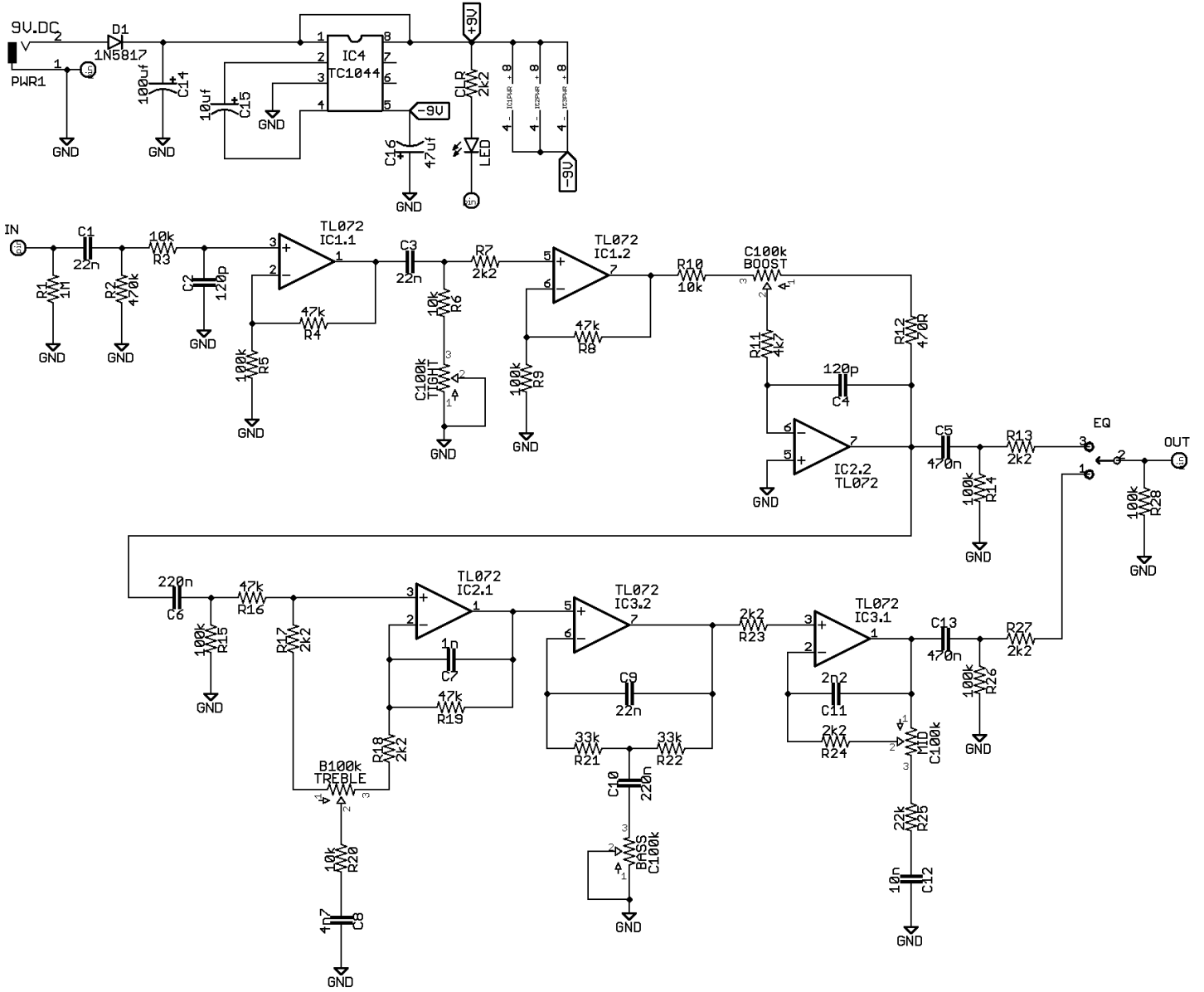
120p	2
1n	1
2n2	1
4n7	1
10n	1
22n	3
220n	2
470n	2
10uf	1

47uf	1
100uf	1

RESISTORS	
------------------	--

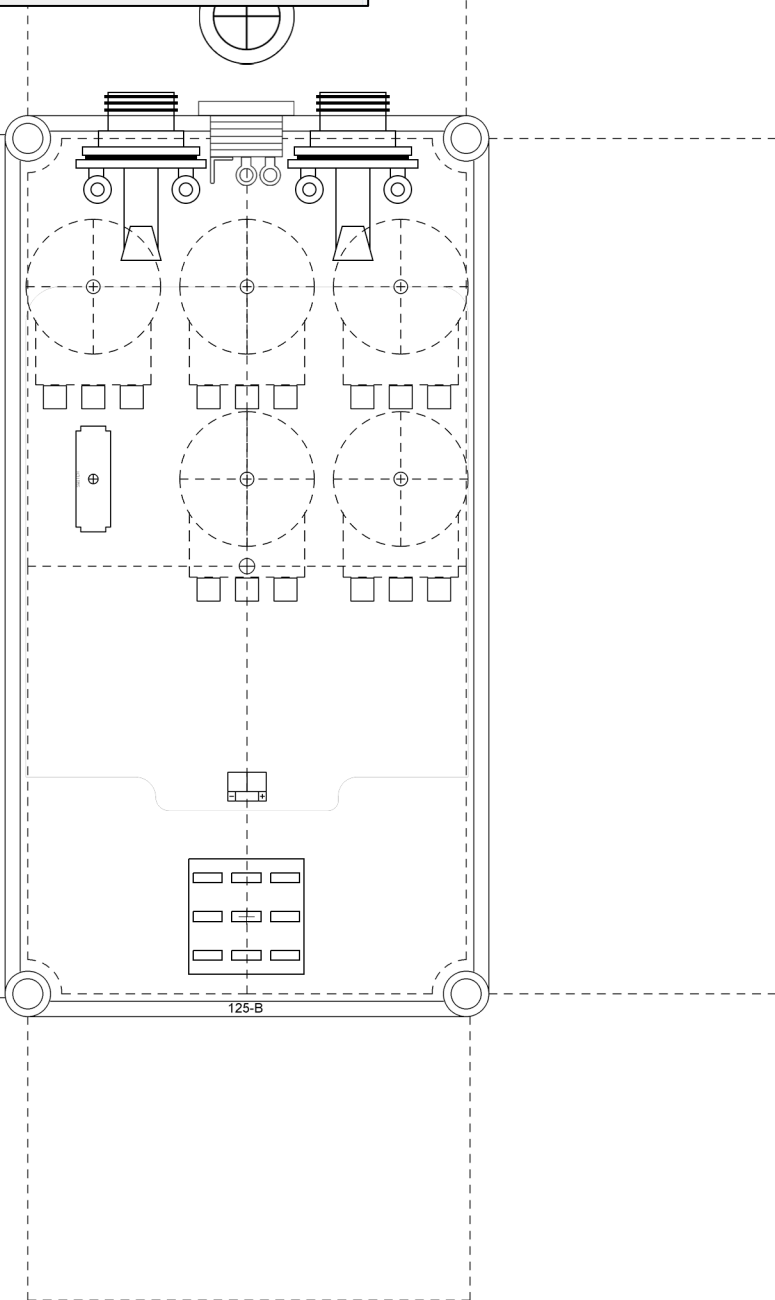
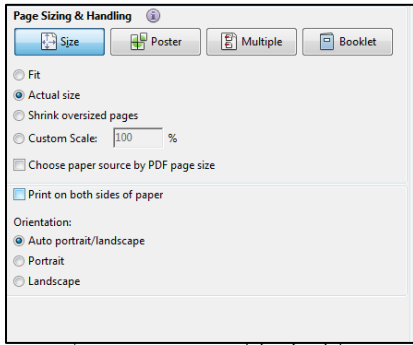
470R	1
2k2	7
4k7	1
10k	4
22k	1
33k	2
47k	4
100k	6
470k	1
1M	1

SCHEMATIC



DRILL TEMPLATE

Adobe PDF: PRINT ACTUAL SIZE



WIRING IT UP

It's good to test the effect outside of the enclosure. I do sell a tester board which is perfect for this. When your good to go, here's how to wire things up.

3PDT WIRING

